









COLEGIO INGLÉS

— DE PUEBLA —







English Test for 3rd Grade

Name: _____ Date: _____
Time you begin: _____ Time you finish: _____


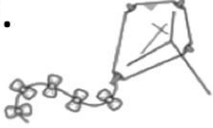




A. Look at each picture. Write the missing letter or letters on the line.

<p>1.</p>  <p>_____ess</p>	<p>_____ain</p> 	<p>3.</p>  <p>_____ag</p>
<p>3.</p>  <p>la_____</p>	<p>4.</p>  <p>de_____</p>	<p>5.</p>  <p>_____oon</p>

B. Look at each picture. Write the missing letter or letters on the line.

<p>1.</p>  <p>f_____x</p>	<p>2.</p>  <p>b_____ll</p>	<p>3.</p>  <p>g_____t</p>
<p>4.</p>  <p>h_____s</p>	<p>5.</p>  <p>t_____th</p>	<p>6.</p>  <p>l_____f</p>

C. Fill the circle that names each picture.

<p>1.</p>  <p> <input type="radio"/> fly <input type="radio"/> hog <input type="radio"/> frog </p>	<p>2.</p>  <p> <input type="radio"/> key <input type="radio"/> kite <input type="radio"/> cake </p>	<p>3.</p>  <p> <input type="radio"/> fast <input type="radio"/> fig <input type="radio"/> fish </p>
<p>4.</p>  <p> <input type="radio"/> plane <input type="radio"/> pond <input type="radio"/> plum </p>	<p>5.</p>  <p> <input type="radio"/> carrot <input type="radio"/> cupcake <input type="radio"/> cup </p>	<p>6.</p>  <p> <input type="radio"/> butterfly <input type="radio"/> butter <input type="radio"/> button </p>

D. Read each sentence. Fill the circle of the word or words that best complete each sentence.

1. My kitten likes to _____

- jump
- jump?
- Jump

3. May _____ play with you?

- i
- It
- I

2. I went to see _____ for a checkup.

- dr. Jones
- Dr. Jones
- dr. jones

4. My family went to _____ on a trip.

- New York
- NEW YORK
- new york

5. The girl _____ the bus.

- ride
- rides
- rided

E. Read the text. Then answer each question. Fill the circle next to the best answer.

1. What is a good title for this text?

- Scientists
- Jane Goodall
- Baby Chimpanzees

2. Where did Jane Goodall learn about chimpanzees?

- Africa
- South America
- Asia

3. Baby chimpanzees ride on their mother's back until what age?

- 5 years old
- 6 months old
- 3 years old



Jane Goodall is a famous scientist. She learned about wild chimpanzees in Africa. Jane learned that baby chimpanzees ride on their mothers' backs until they are 3 years old. She learned that chimpanzees hold hands like people do. She also learned that chimpanzees use sticks to catch insects. Jane learned all about chimpanzees by watching them closely.

4. Write a sentence telling something that Jane Goodall learned about chimpanzees.
